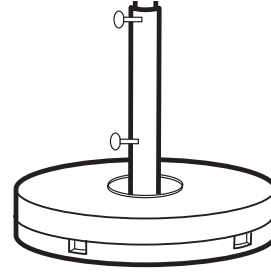




70 lb. Umbrella Base 16" Stem - includes ring



Stem Height: 16"
Diameter: 20"

Product Specifications

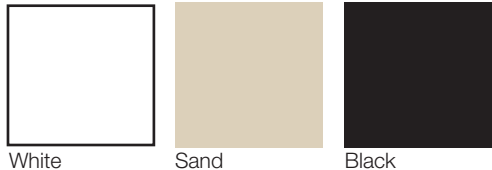
Product Description	Reference Number	Color	UPC Code 014306	Weight Each (lbs.)	Master Pack	Master Pack Volume (cu. ft)
70 lb. Umbrella Base with 16" Stem - includes ring	US607004	White	912882	75.00	1	1.66
	US607066	Sand	912899	75.00	1	1.66
	US607017	Black	912905	75.00	1	1.66

Features & Benefits Warranty: 1 Yr.

- 70-pound cement filled resin umbrella base.
- Molded anchor bolt holes to secure base to deck for extra stability.
- Use as a free-standing umbrella base.
- Long, reinforced stem with two thumb screws specifically designed for market umbrellas with 2" pole - can be retrofitted to accommodate a 1 1/2" pole.
- Will not rust or mark your deck.
- U.V. resistant and easy to clean with soap and water.

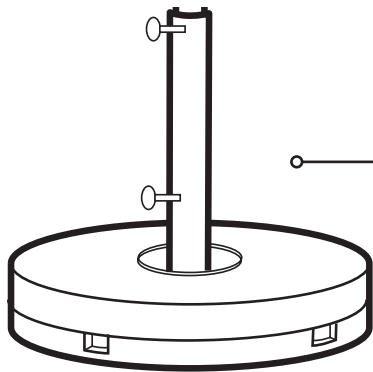
Our umbrella bases are available in a variety of sizes and materials to fit your needs. Be sure to measure where you will be using your base to ensure fit. Your Grosfillex representative can assist you in determining the best base for your needs.

- ⚠️ **WARNING: Cancer** - www.P65Warnings.ca.gov.
- ⚠️ **AVERTISSEMENT: Cancer** - www.P65Warnings.ca.gov.
- ⚠️ **ADVERTENCIA: Cáncer** - www.P65Warnings.ca.gov.



70 lb. Umbrella Base

Spare Parts



Stem USSP0259, USSP0260, USSP0262, USSP0263



Components



Assembled

Reference	Description
USSP0259	STEM 70LB 16" UMB BASE WHITE
USSP0260	STEM 70LB 16" UMB BASE SAND
USSP0262	STEM 70LB 16" UMB BASE BLACK
USSP0263	THUMB SCREW 70LB 16" UMB BASE

