




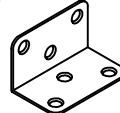





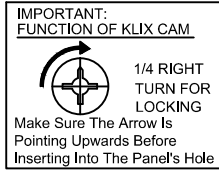
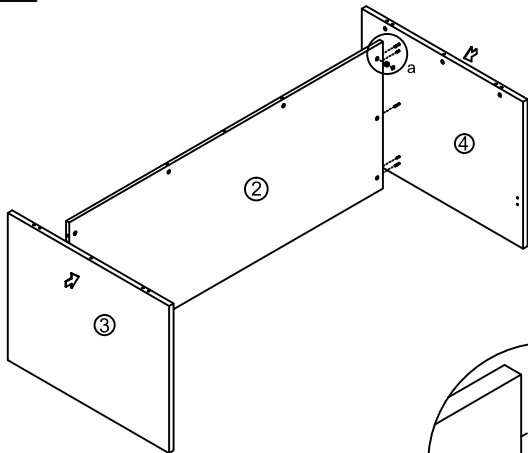
Assembly Instructions

MODEL NO.N102

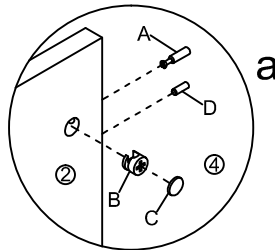
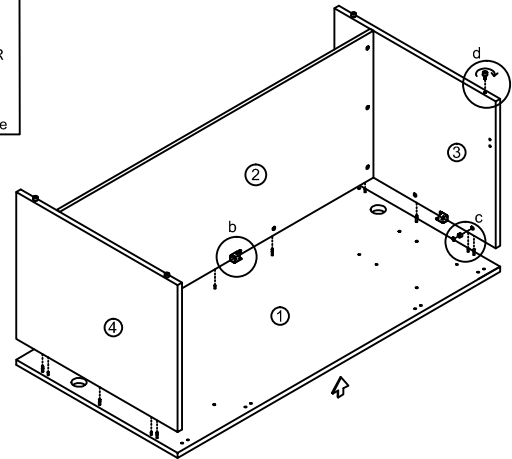
DESK SHELL

TUN010CL	TUN011KC		TUN026	TUN021AG	TUN013LB	TUN018SC	TUN015BG	I
 Cam lock 14Pcs+1Pc(spare)	 Klix Cam 14Pcs+1Pc(spare)	 Cam Cover 14Pcs+1Pc(spare)	 Dowel 9Pcs+1Pc(spare)	 Adjustable Glide 4Pcs	 6Hole L-Bracket 5Pcs	 Screw#4*5/8" 30Pcs+1Pc(spare)	 60mm Black Grommet 2 Pcs	 Cover 4Pcs+1Pc(Spare)

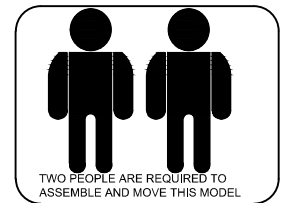
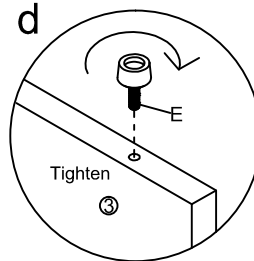
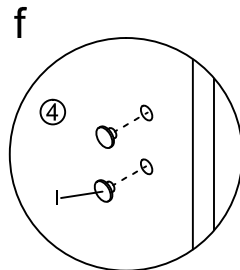
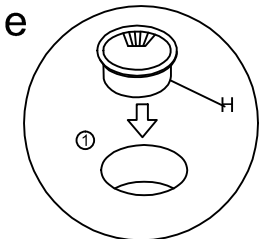
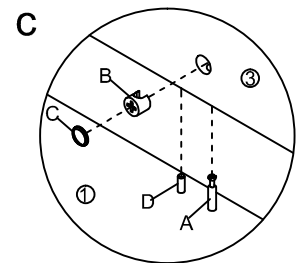
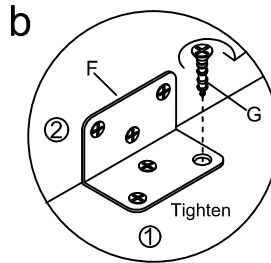
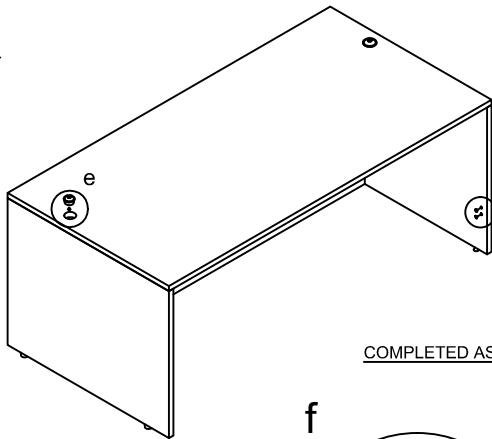
STEP1



STEP2



STEP3



IMPORTANT NOTE:

- Place all laminated parts on a clean and smooth surface such as a rug or carpet to avoid the parts from being scratched.
- Check to be sure that you have all parts and hardware.
- Remove all wrapping materials, including staples & packing straps before you start to assemble.
- Don't tighten all screws/bolts until all completely assembled.
- Keep all hardware parts out of reach of children
- If the product is not working properly, is missing a part, is damaged, or if you have any questions, please call customer service hotline before returning.
- Customer Service Hotline: 1-800-593-1888 For further assembly instructions, please visit our website at www.boschair.com