

Thank you for purchasing our product.

Please read this assembly instruction sheet before you begin to assemble this product. Make sure that all the parts listed on this sheet are included in the carton. This will make the assembly process quicker.

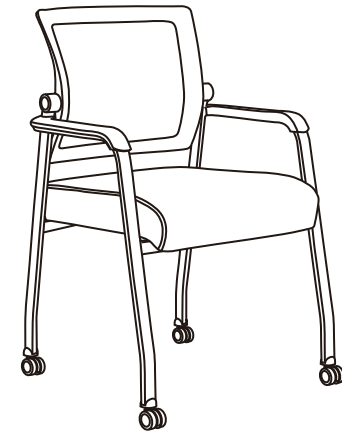
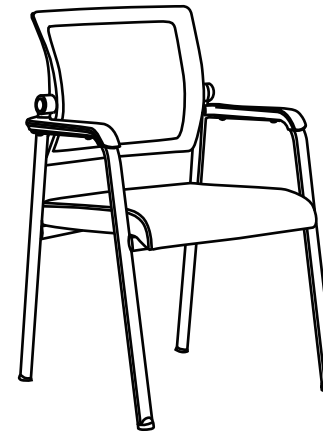
For missing, damaged or defective parts, simply scan the QR code below and follow the instructions for warranty service.

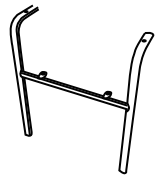
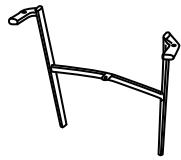
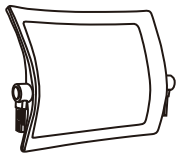

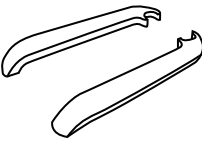
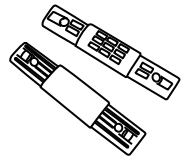
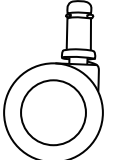





B6889-BK ASSEMBLY



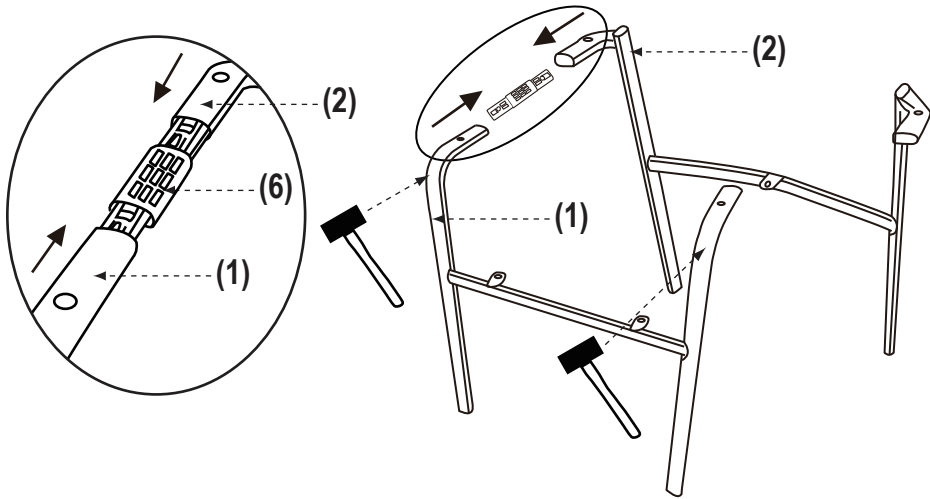
MODEL : B6889 B6889R



(1)x1	(2)x1	(3)x1	(4)x1
 <p>Front Frame</p>	 <p>Back Frame</p>	 <p>Back</p>	 <p>Seat</p>
 <p>Arm Pads</p>	 <p>Frame connector</p>	 <p>Casters</p>	<p>(A)*3  M6*22 (Seat Cushion)</p> <p>(B)*1 </p> <p>(C)*4  M6*18 (Arm Pads)</p>

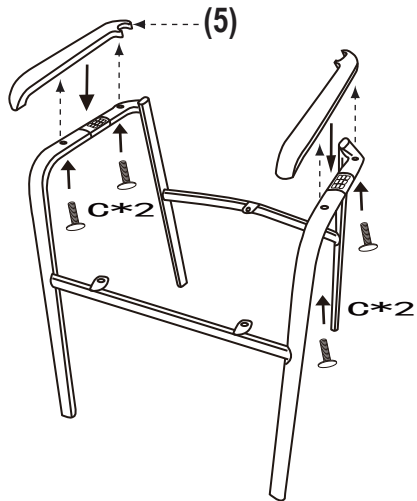
1

Insert frame connector so holes are on top



2

Screw in arm pads



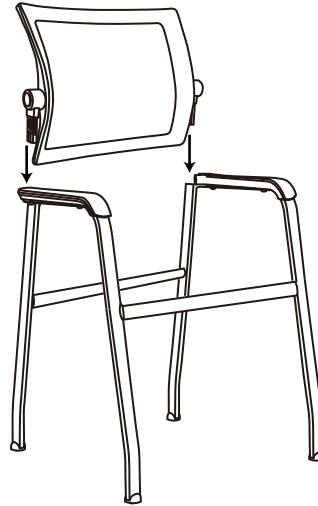
3

Place on level surface



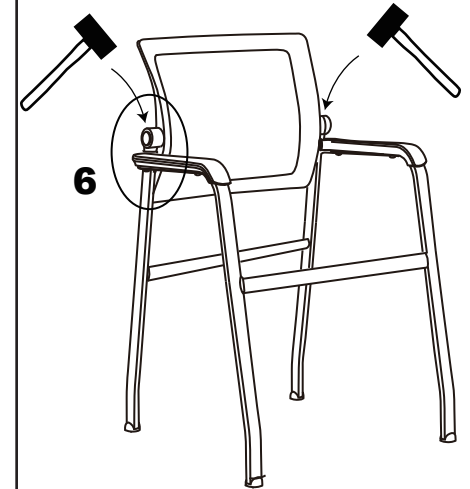
4

Slide back into frame

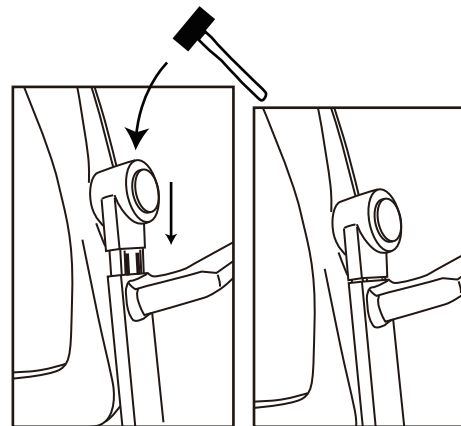


5

Use rubber mallet take tums hitting both sides evenly so they are level



6



7

Insert screws

