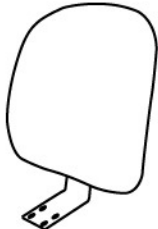
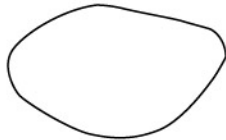

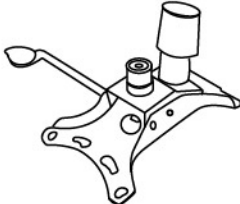



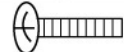
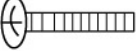



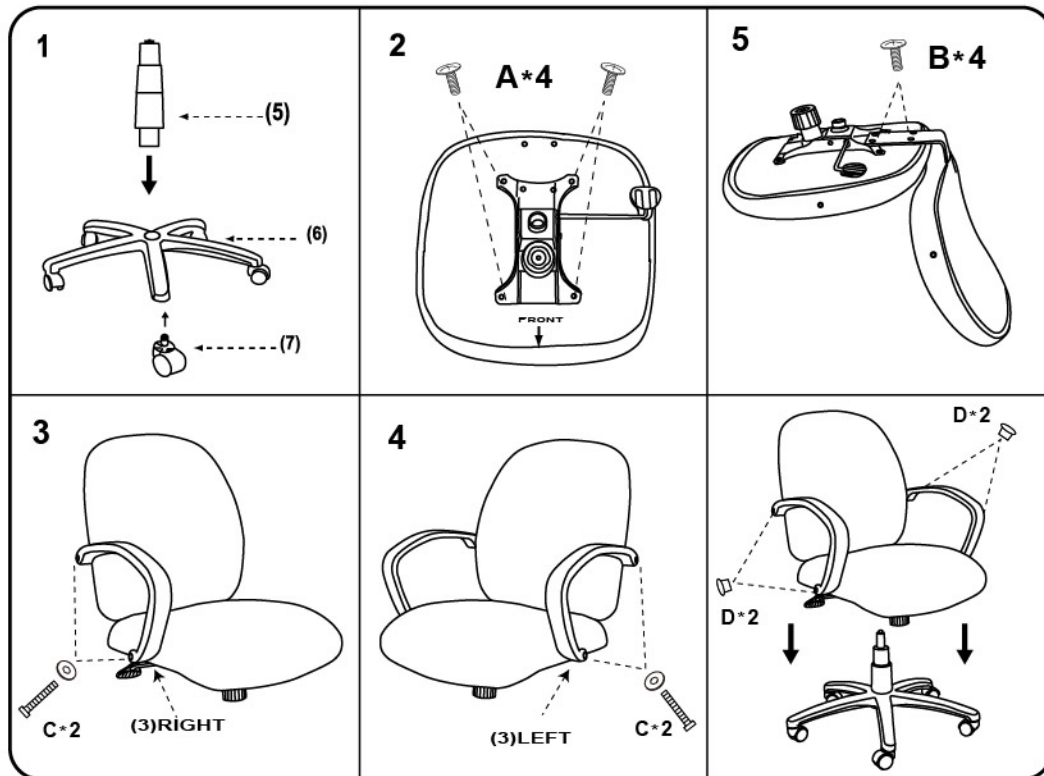


**IMPORTANT NOTICE:
HARDWARE PACKAGE IS ATTACHED ON THE BOTTOM
OF SEAT CUSHION.**

MODEL: B500 P5 P5006 6601 6602 CVS-1060 MS3002

(1)x1	(2)x1	(3)x1 (L)x1 (R)
 Back Cushion	 Seat Cushion	 Left-Arm Right-Arm
(4)x 1	(5)x1	(6)x1
 Mechanism	 Gas Lift W/ Cover	 Base
(7)x 5		
 Caster		
(A)X4		M8*22 MECHANISM SCREW
(B)X4		M6*30 L-BAR SCREW
(C)X4		M6*55 ARM SCREW
(D)X4		ARM CAP
(E)X1		ALLEN KEY



Insert and loosely tighten all screws. When assembly is completed, fully tighten all screws before using. This chair is only intended for sitting. Any other use will void the warranty.

